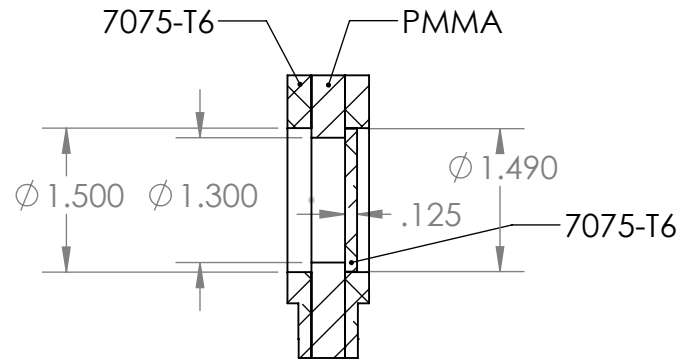
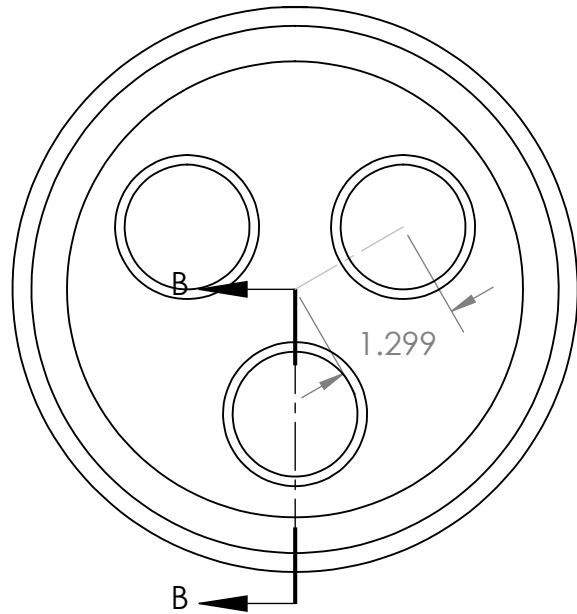
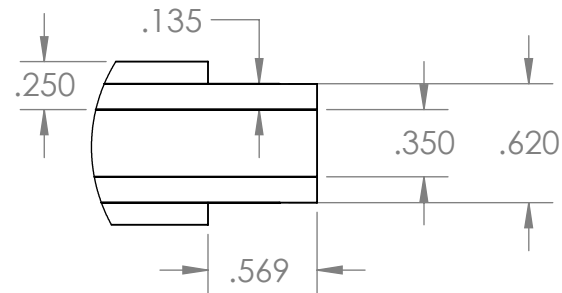
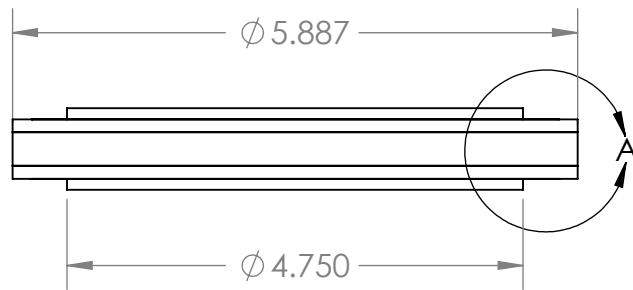


Total assembly mass = 1.31 pounds



SECTION B-B



DETAIL A  
SCALE 1 : 1

**PROPRIETARY AND CONFIDENTIAL**  
THE INFORMATION CONTAINED IN THIS DRAWING IS THE SOLE PROPERTY OF <INSERT COMPANY NAME HERE>. ANY REPRODUCTION IN PART OR AS A WHOLE WITHOUT THE WRITTEN PERMISSION OF <INSERT COMPANY NAME HERE> IS PROHIBITED.

|           |         |                                      |                      |           |      |   |
|-----------|---------|--------------------------------------|----------------------|-----------|------|---|
|           |         | UNLESS OTHERWISE SPECIFIED:          |                      | NAME      | DATE |   |
|           |         | DIMENSIONS ARE IN INCHES             |                      | DRAWN     |      | TITLE:  |
|           |         | TOLERANCES:                          |                      | CHECKED   |      |   |
|           |         | FRACTIONAL ±                         |                      | ENG APPR. |      |   |
|           |         | ANGULAR: MACH ± BEND ±               |                      | MFG APPR. |      |   |
|           |         | TWO PLACE DECIMAL ±                  |                      | Q.A.      |      | SIZE DWG. NO. REV<br><b>A</b> three hole laminate |
|           |         | THREE PLACE DECIMAL ±                |                      | COMMENTS: |      |   |
|           |         | INTERPRET GEOMETRIC TOLERANCING PER: |                      |           |      | SCALE: 1:2 WEIGHT: SHEET 1 OF 1                   |
|           |         | MATERIAL                             |                      |           |      |   |
|           |         | FINISH                               |                      |           |      |   |
| NEXT ASSY | USED ON | APPLICATION                          | DO NOT SCALE DRAWING |           |      |   |